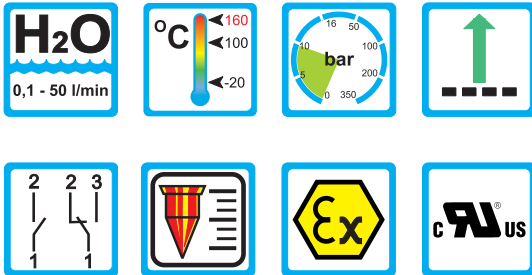


Flow Monitor Flow Indicator

DWG



Range of Application

Operation

- Float measuring principle

Application

- Cooling systems and cooling circuits
- Medicine technology
- Pharma industry
- Chemical industry
- Research and development

Features

- High reliability
- High switch accuracy
- Wide switch range
- Infinitely variable switchpoint adjustment through user
- EX-version to ATEX available
- Scales are burned into the sightglass
- Threaded connection, special threads on request

Installation hints

- The operating instructions for DWG must be observed!
- Download: www.meister-flow.com

Operating Data

Operating pressure max.	10 bar
Pressure drop	0,01 - 0,2 bar
Maximum temperature	100 °C (optional 160 °C)
Accuracy	±5 % of full scale

Measuring Ranges

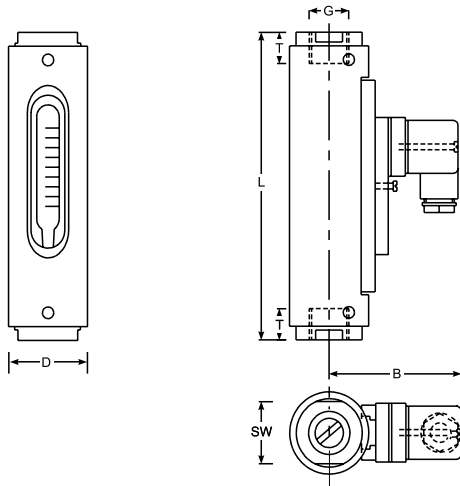
Type	Switch range for H ₂ O at 20°C ⁽¹⁾		
	[l/min]	[gph]	[gpm]
DWG-1,5	0,1 - 1,5	1,6 - 23,8	
DWG-3	0,2 - 3	3,2 - 47,5	
DWG-8	0,3 - 8	5,0 - 127,0	
DWG-12	1 - 12	16,0 - 190,0	
DWG-18	2 - 18	32,0 - 285,0	
DWG-35	3 - 35	48,0 - 550,0	
DWG-50	4 - 50	60,0 - 790,0	

⁽¹⁾ the specified data are switch-off points
other switch ranges on request.

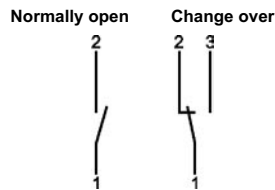


Technical Data

Mechanical drawing



Connection diagram



Summary of types

Type:	Overall dimensions [mm]							Weight approx. [g]
	SW	D	B	G	DN	T	L	
DWG-1,5				1/4"	8	14	132	
DWG-3	32	43	73	3/8"	10	14	135	625
DWG-8				1/2"	15	15	135	
DWG-12				1/2"	15	15	163	
DWG-18	32	43	73	3/4"	20	16	167	650
DWG-35	41	50	76	3/4"	20	18	164	850
DWG-50				1"	25	19	184	1000

Electrical Data

Change over	250V • 1,5A • 50VA ⁽²⁾
Normally open	250V • 3A • 100VA

ATEX II 2 G Ex mb II T6 & ATEX II 2 D Ex tD A21 IP67 T80 °C
ATEX II 2 G Ex mb II T5 & ATEX II 2 D Ex tD A21 IP67 T100 °C

Change over	250V • 1A • 30VA
Normally open	250V • 2A • 60VA

Change over M 12x1 (-20 °C - 85 °C)	250V • 1,5A • 50VA ⁽²⁾
-------------------------------------	-----------------------------------

Normally open M 12x1 (-20 °C - 85 °C)	250V • 3A • 100VA
---------------------------------------	-------------------

Change over SPS	250V • 1A • 60VA
-----------------	------------------

Ingress Protection:

IP65: plug connection DIN 43650 Form A

IP67: 1 m sealed in cable, (with EEx-version 2 m)
or plug connection M 12x1

Output signal

The contact opens / changes when the flow decreases below the set point..

Power supply

Not required (potentialfree reed contacts)

Plug types

Other plug types or cable lengths on request

⁽²⁾ Minimum load 3 VA

Material

Brass version

Wetted parts:

Float: Brass nickel-plated
Sightglass: Duran® 50
Gaskets: NBR
(optional FKM, EPDM) ⁽³⁾

All other wetted parts: Brass nickel-plated

Not wetted Parts:

Housing: Aluminium anodized

Stainless steel version

Wetted parts:

Float: 1.4571
Sightglass: Duran® 50
Gaskets: FKM
(optional NBR, EPDM) ⁽³⁾

All other wetted parts: 1.4571

Not wetted Parts:

Housing: Aluminium anodized

⁽³⁾ Other gasket materials on request

