

# MX 25 – 1” DIGITAL FLOW METERS

SUITABLE FOR FLOW RANGE 6–120L/MIN



**MX25P-1SE**  
Stainless steel body with LCD register

Output variations:



**B –Ex approved (Ex ia)**  
Intrinsically Safe –NPN  
**N –Ex approved (Ex ia)**  
Intrinsically Safe –NAMUR  
**T – High Temperature**  
Max temp–150°C



**F –ER**  
LCD Display (17mm)  
**G–ERA**  
LCD Display (17mm)  
**H–ERB**  
LCD Display (17mm)  
Batch controller



**D –PR**  
LCD Display (12mm)  
**E –PRA**  
LCD Display (12mm)  
with outputs



**A –Standard Pulse**  
Reel/Hall Effect  
**I –Standard Pulse**  
Reel/Reed Effect  
**J –Standard Pulse**  
Hall/Hall Effect  
**K –High Resolution**  
Hall NPN

The MX25 1” Digital Flow Meters are suitable for flows between 6–120L/min. The 1” Digital Flow Meters have an accuracy of +/-0.5% and provides exceptional levels of reliability and durability.

## SPECIFICATIONS

	MX25F		MX25S		MX25P	
<b>Materials of Construction</b> Meter Body	Aluminium(6061)		Aluminium(6061)		Stainless Steel (316)	
Rotor	PPS		Stainless Steel (316)		PPS Stainless Steel (316)	
Seals	Fluorocarbon(FKM)		PTFE encapsulated(FEP)		PTFE encapsulated(FEP)	
<b>Design Specifications</b> Process Connections	<b>Threaded</b> 1” G 1” NPT	<b>Flange</b> ANSI CLASS 150 DIN PN16 J IS 10k	<b>Threaded</b> 1” G 1” NPT	<b>Flange</b> ANSI CLASS 150 DIN PN16 J IS 10k	<b>Threaded</b> 1” G 1” NPT	<b>Flange</b> ANSI CLASS 150 DIN PN16 J IS 10k
<b>Technical Specifications</b> Flow rate	<5cP 10–100L/min 2.6–26USG/min	>5cP 6–120L/min 1.6–32USG/min	<5cP 10–100L/min 2.6–26USG/min	>5cP 6–120L/min 1.6–32USG/min	<5cP 10–100L/min 2.6–26USG/min	>5cP 6–120L/min 1.6–32USG/min
Operating Temperature Range*	–40 –80°C –40 –176°F		–40 –120°C –40 –248°F		–40 –80°C (150°C with high temp. rotors) –40 –176°F (302°F with high temp. rotors)	
Max. Operating Pressure**	2000 psi 138 Bar		2000 psi 138 Bar		2000 psi 138 Bar	
Accuracy	+/-0.5%		+/-0.5%		+/-0.5%	
Repeatability	+/-0.03%		+/-0.03%		+/-0.03%	
Nominal K-Factor	36 Pulses/L		36 Pulses/L		36 Pulses/L	

\*Temperature based on standard pulse output –subject to change dependant on rotor and output type, contact Macnaught technical support for further investigations

\*\*Pressure rating subject to change as per flange rating



www.intercontrol.eu  
+31 (0) 26 4425 204  
info@intercontrol.eu

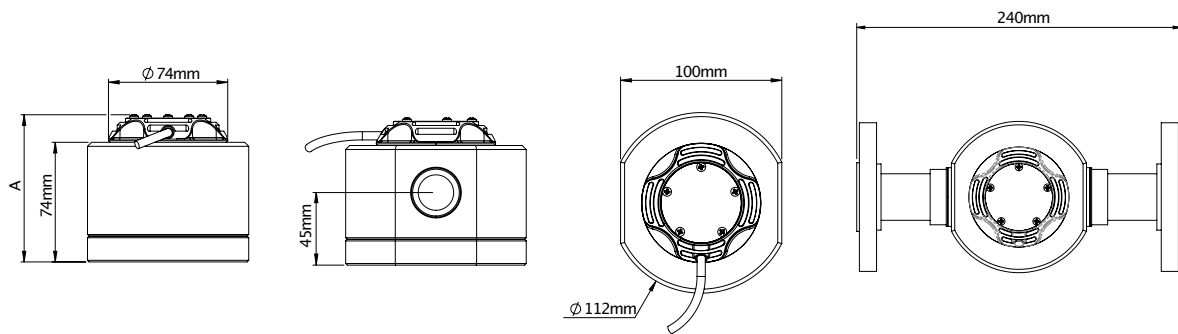
## OUTPUTS TYPES

	DESCRIPTION	SWITCH TYPE	OUTPUT TYPE	MX25F	MX25S	MX25P
X	No Output	-	No Output	●	●	●
A	Standard Pulse	Reed /Hall (NPN)	Pulse (1m flying lead)	●	●	●
B	Ex approved (Ex ia)	Hall (NPN)	Pulse (2mDIN cable)	—	●	●
D	PR (LCD 12mmdisplay)	-	Display 12mm	●	●	●
E	PRA (LCD 12mmdisplay)	-	Display 12mm,4-20mA output,Pulse	●	●	●
F	ER (LCD 17mmdisplay)	-	Display 17mm	●	●	●
G	ERA (LCD 17mmdisplay)	-	Display 17mm,4-20mA output,Pulse	●	●	●
H	ERB (LCD 17mmdisplay)	-	Display 17mm + Batch Control	●	●	●
N	ExApproved (Exia NAMUR)	NAMUR	Pulse (2mDIN cable)	—	●	●
T	High Temperature	Hall (NPN)	Pulse	✗	S	S
I	Reed/Reed	Reed/Reed	Pulse (1m flying lead)	—	—	—
J	Hall/Hall	Hall/Hall	Pulse (1m flying lead)	—	—	—
K	High Resolution(omnipolar)	Hall (NPN)	Pulse (1m flying lead)	—	—	—

● Available   ✗ Not Available   S Only with stainless steel rotors   — Consult Macnaught Technical regarding availability

MX-SERIES FLOWMETERS

## DIMENSIONS



### PULSAR AND DISPLAY HEIGHT -A

