



XMP ci

Process Pressure Transmitter with HART®-communication

Ceramic Sensor

accuracy according to IEC 60770:
0.1 % FSO

Nominal pressure

from 0 ... 160 mbar up to 0... 20 bar

Output signals

2-wire: 4 ... 20 mA
others on request

Special characteristics

- ▶ turn-down 1:5
- ▶ two chamber aluminium die cast case or stainless field housing
- ▶ internal or flush mounted capacitive ceramic sensor
- ▶ HART®-communication
- ▶ explosion protection intrinsic safety (ia)
- ▶ diaphragm Al₂O₃ 99.9 %



Optional versions

- ▶ explosion protection flameproof equipment (d)
- ▶ with integrated display and operating module
- ▶ several process connections (thread, flange, DRD etc.)



The process pressure transmitter XMP ci measures the pressure of gases, steam and fluids. The special-developed capacitive ceramic sensor for this transmitter has a high overpressure capability and excellent media stability.

Several process connections e.g. thread or flange are available. The transmitter is as a standard equipped with HART®-communication, the customer can choose between a two chamber aluminium die cast case or a stainless field housing.

Preferred areas of use are

-  Oil and gas industry
-  Chemical and petrochemical industry

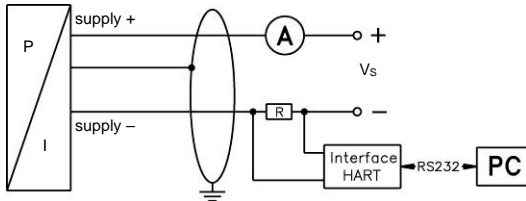
Preferred using in

-  Fuel and oil
-  Aggressive media



Miscellaneous	
Display (optionally)	LC-display, visible range 32.5 x 22.5 mm; 5-digit 7-segment main display, digit height 8 mm, range of indication ± 9999 ; 8-digit 14-segment additional display, digit height 5 mm; 52-segement bargraph; accuracy 0.1 % ± 1 digit
Ingress protection	IP 67
Installation position	any
Weight	min. 400 g (depending on housing and mechanical connection)
Operational life	100 million load cycles
CE-conformity	EMC Directive: 2014/30/EU
ATEX Directive	2014/34/EU

Wiring diagram

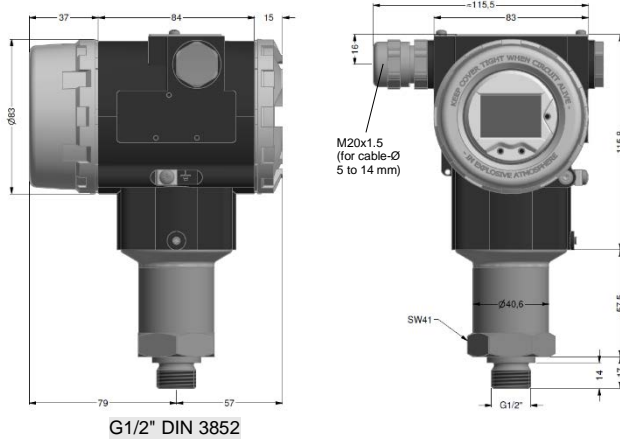


Pin configuration

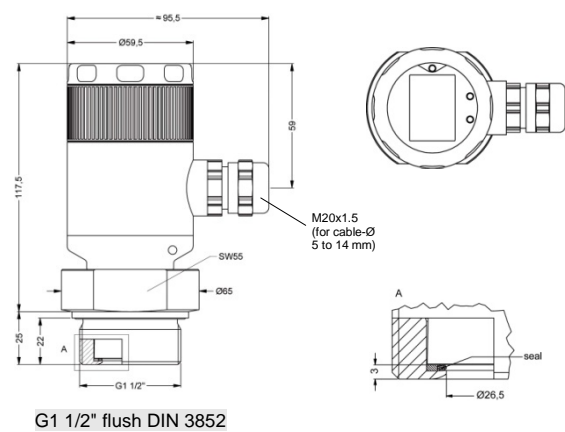
Electrical connections	aluminium die cast case: terminal clamps (clamp section: 2.5 mm ²)	stainless steel field housing: terminal clamps (clamp section: 1.5 mm ²)
Supply +	IN+	IN+
Supply -	IN-	IN-
Test	Test	-
Shield	⊕	⊕

Housing designs ⁶ (dimensions in mm)

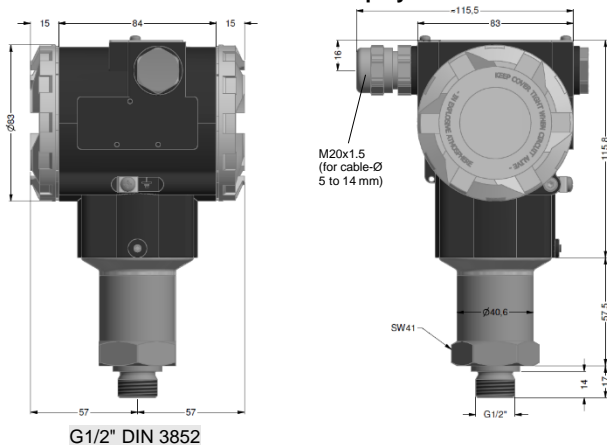
aluminium die cast case with display



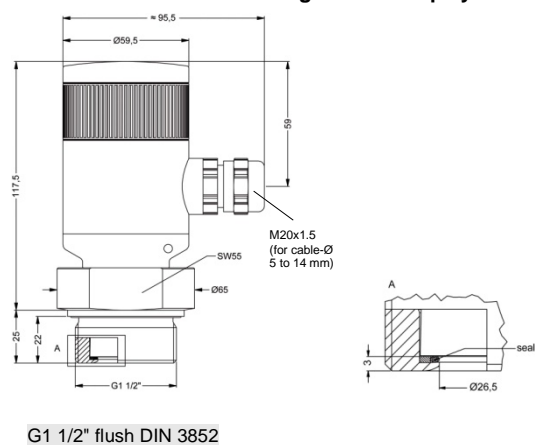
stainless steel field housing with display



aluminium die cast case without display

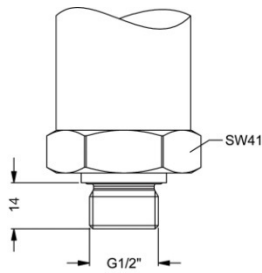


stainless steel field housing without display

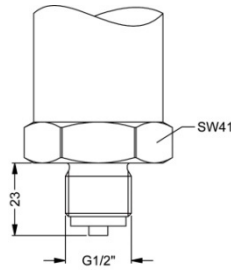


⁶ aluminium die cast case is horizontally rotatable as standard

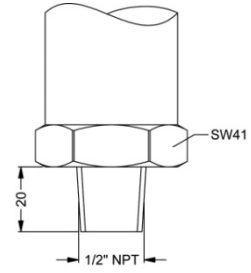
Standard pressure ports (dimensions in mm)



G1/2" DIN 3852



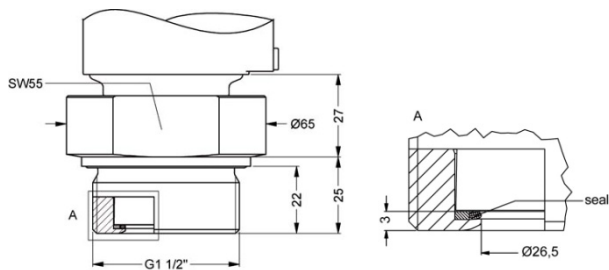
G1/2" EN 837



1/2" NPT

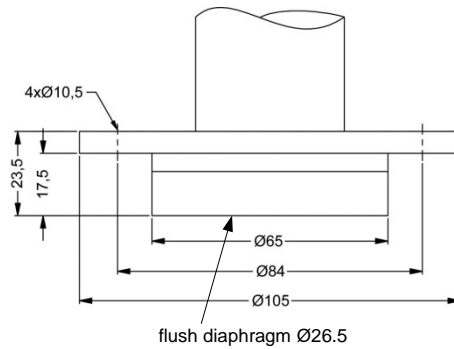
Process connections (dimensions in mm)

Inch thread



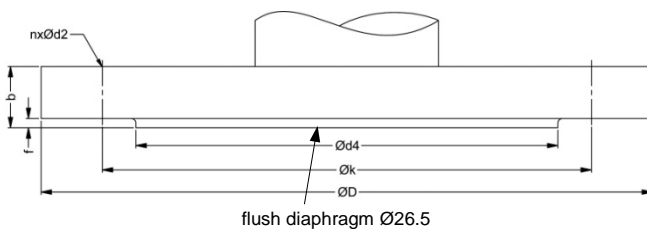
G1 1/2" flush DIN 3852

DRD⁷



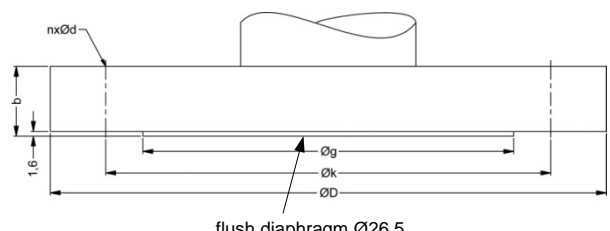
flush diaphragm Ø26.5

Flange (DIN 2501)



flush diaphragm Ø26.5

Flange (ANSI)



flush diaphragm Ø26.5

dimensions in mm			
size	DN25	DN50	DN80
D	115	165	200
k	85	125	160
d4	68	102	138
b	18	20	20
f	2	3	3
n	4	4	8
d2	14	18	18
pN	≤ 40 bar	≤ 40 bar	≤ 16 bar

dimensions in mm		
size	2"/150 lbs	3"/150 lbs
D	152.4	190.5
g	91.9	127
k	120.7	152.4
b	19.1	23.9
n	4	4
d	19.1	19.1
pN	≤ 10 bar	≤ 10 bar

⁷ mounting flange is included in the delivery (already pre-assembled)
 HART® is a registered trademark of HART Communication Foundation;
 Windows® is a registered trademark of Microsoft Corporation

© 2023 BD/SENSORS GmbH — The specifications given in this document represent the state of engineering at the time of publishing. We reserve the right to make modifications to the specifications and materials.

Ordering code XMP ci

XMP ci

--	--	--	--	--	--	--	--	--	--	--	--	--	--	--	--	--	--	--	--

Pressure									
	gauge	5	1	E					
Input									
	[bar] Δ								
	0.16	1	6	0	0				
	0.40	4	0	0	0				
	1	1	0	0	1				
	2	2	0	0	1				
	5	5	0	0	1				
	10	1	0	0	2				
	20	2	0	0	2				
	customer	9	9	9					consult
Design									
Aluminium die cast case									
	with display					A	0		
	without display					A	N		
Stainless steel field housing									
	with display					F	V		
	without display					F	N		
	customer					9	9		consult
Output									
	intrinsic safety (ia)								
	4 ... 20 mA / 2-wire					I			
	with HART®-communication								
	flameproof equipment (d)								
	4 ... 20 mA / 2-wire					G			
	with HART®-communication ¹								
	customer					9			consult
Accuracy									
	p _N < 1 bar:	0.2 % FSO				B			
	p _N ≥ 1 bar:	0.1 % FSO				1			
	customer					9			consult
Electrical connection									
	terminal clamp alu housing					A	K	0	
	terminal clamp field housing					8	8	0	
	customer					9	9	9	consult
Mechanical connection									
<i>standard pressure connections:</i>									
	G1/2" DIN 3852					1	0	0	
	G1/2" EN 837					2	0	0	
	1/2" NPT					N	0	0	
<i>process connections:</i>									
	G 1 1/2" DIN flush (DIN 3852)					M	0	0	
	flange DN 25 / PN 40 (DIN 2501)					F	2	0	
	flange DN 50 / PN 40 (DIN 2501)					F	2	3	
	flange DN 80 / PN 16 (DIN 2501)					F	1	4	
	flange DN 2" / 150 lbs (ANSI B16.5) ²					F	3	2	
	flange DN 3" / 150 lbs (ANSI B16.5) ²					F	3	3	
	DRD Ø 65 mm ³					D	R	D	
	customer					9	9	9	consult
Diaphragm									
	ceramics Al ₂ O ₃ 99,9 %								C
	customer								9
Seal									
	FKM							1	
	EPDM							3	
	customer							9	consult
Pressure port									
<i>standard:</i>									
	stainless steel 1.4404 (316L)								1
<i>option for G 1 1/2" flush:</i>									
	PVDF ⁴								B
	customer								9
Special version									
	standard								0
	customer								9

Δ if setting range shall be different from nominal range please specify in your order

¹ only possible in combination with aluminium die cast case

² 2"/150 lbs and 3"/150 lbs only possible for nominal pressure ranges p_N ≤ 10 bar

³ mounting flange is included in the delivery (already pre-assembled)

⁴ for pressure port in PVDF the operation medium temperature is -25 ... 60 °C

HART® is a registered trade mark of HART Communication Foundation

© 2022 BD|SENSORS GmbH – The specifications given in this document represent the state of engineering at the time of publishing. We reserve the right to make modifications to the specifications and materials.