

## Ultrasonic Flow Measurement

Clamp-on Flow Meters, without the fuss



### Clamp On Type Flow Meter — Series BFX3

Clamp on type, No need to cut the pipe or make any other changes. Liquid compatibility is not an issue

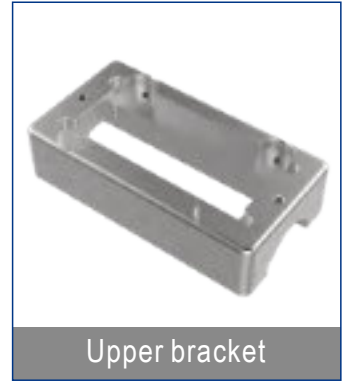
No professional product knowledge required, installation and measurement is quick and easy.

No moving parts or pressure changes involved, installation can be done without flow interruption

## COMPONENT PARTS



BF3



Upper bracket



Base bracket



Connecting cables

## APPLICATIONS



## EASY INSTALLATION STEPS

### 01 Clean the tube



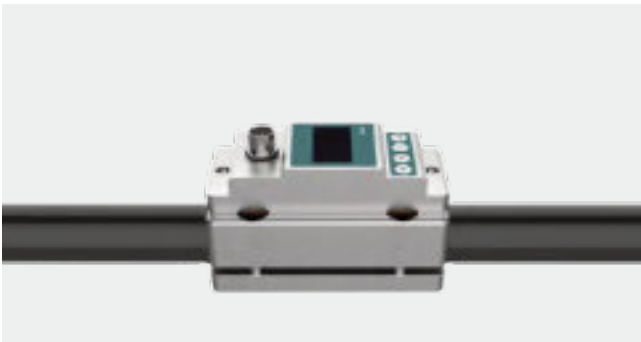
Make sure no dirt, paint or rust lies on the surface of the tube.

### 02 Install the housing bracket



Align flow meter to the pipe position, Install screws on top part of the bracket, the bottom part of the bracket will automatically connect with the top part. tighten the four M4 screws.

### 03 Install the BFX3



Take the cover off the sensor, put the flow meter into Upper bracket, and tighten the two M4 screws.

### 04 Connect the cable



Take out the cable, connect it to the socket, and tighten up.

### 05 Run the BFX3

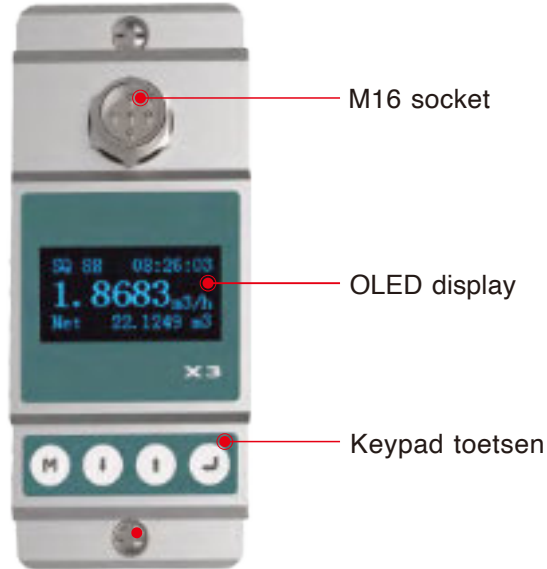


Please refer to the manual for cable connection; Power on and see if the  $SQ \geq 50$  which indicates that the measurement has been established and is stable.

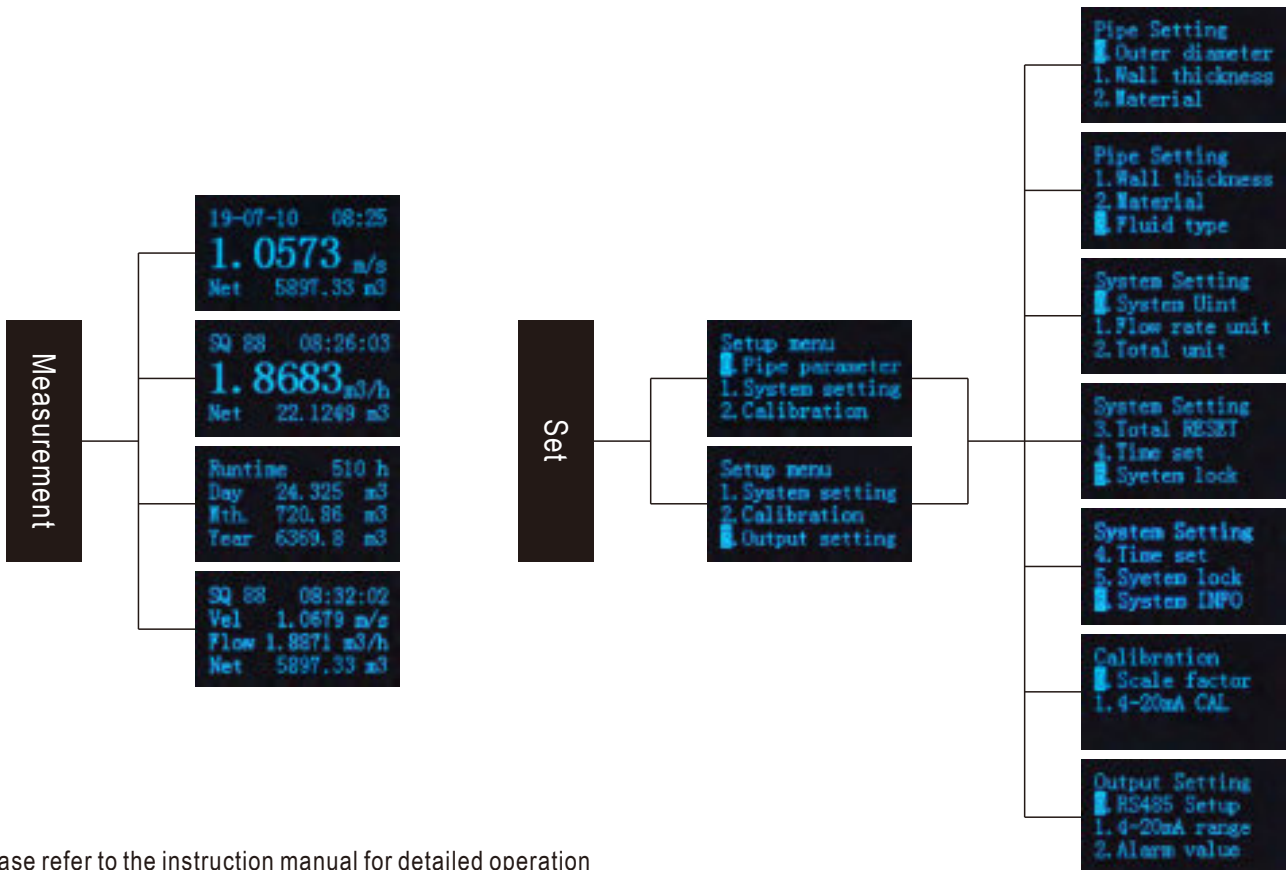
# BFX3 SETTINGS

## Special instructions:

The BFX3 is designed for different pipe diameters and materials, it will be set for your pipe size before it leaves the factory. There is no need to change the settings, but you can alter them by following the manual. eg. Outputs, liquid type etc




# DISPLAY MENU



Please refer to the instruction manual for detailed operation

## PERFORMANCE INDEX

Product	BFX3 flow meter 
Model	BFX3
Flow range	0.1 m/s ~ 5.0 m/s
Accuracy	±2.0%
Repeatability	0.8%
Pipe size $\Phi$ OD	$\Phi$ 0.63 to 90mm
Data storage	Daily, monthly, and Annual. Flow Totalizer
Analog output	4-20mA, Maximum load: 600 $\Omega$
Alarm output	OCT (Open Collector), Upper and lower limit alarm function (optional)
Communication	RS485 Modbus
Power supply	24 VDC
Cable length	1.8m
Keypad	Four touch buttons
Screen	OLED 128*64 display screen
Units	Metric and imperial units are available, Cubic Meters(m <sup>3</sup> ), Liters(L), USA Gallons(GAL)/hour, /min, Default unit setting: m <sup>3</sup> /h
Totalizer	Six figure digital
Piper material	Carbon Steel, Stainless Steel, PVC and Copper - on request
Case material	Aluminum alloy
Environment temp.	0°C - 50°C
Medium temp.	0°C - 50°C
Environment humidity	0-95% relative humidity, without condensation
IP Grade	IP54
Weight	0.6kg

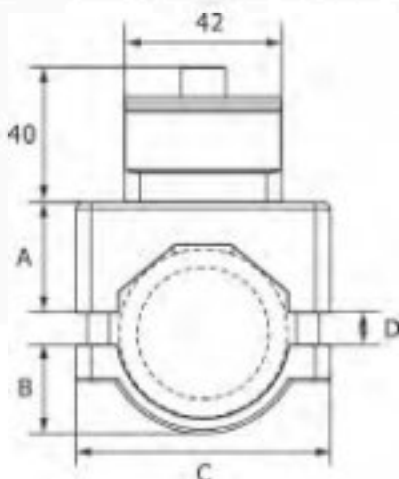
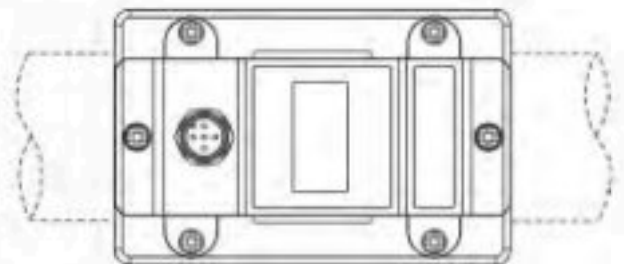


## PIPING SPECIFICATION

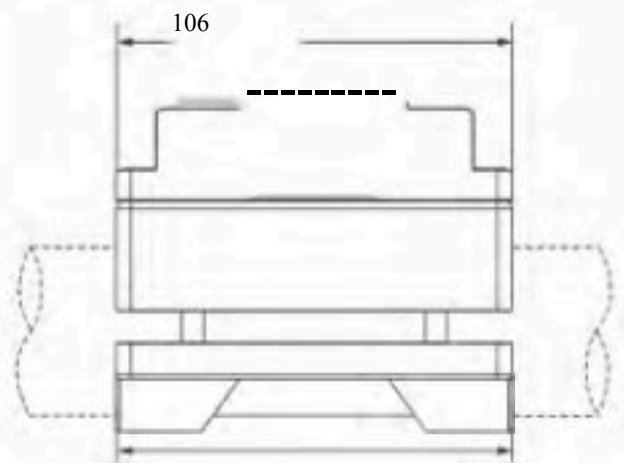
Model	X3-O6.35	X3-O9.53	X3-O12.7	X3-O15	X3-CD20	X3-O25
OD	06.35	09.53	012.7	015	020	025
ID	4mm	8mm	--	10mm	15mm	20mm
DN	--	DN8	--	DN10	DN15	DN20
	--		--			
Model	X3-O32	X3-O40	X3-O50	X3-O63	X3-O75	X3-O90
OD	032	040	050	063	075	090
ID	25mm	32mm	40mm	50mm	65mm	80mm
DN	DN25	DN32	DN40	DN50	DN65	DN80
	--		--		--	--

## DIMENSIONS

Part Code	A (mm)	B (mm)	C (mm)	OD(mm)	
				min	max
BFX3-6.35	--	--	--	--	--
BFX3-9.53	25	10	58	Ø9.53	Ø14.03
BFX3-12.7	25	10	58	Ø12.7	Ø17.7
BFX3-15	25	10	58	Ø12.7	Ø17.7
BFX3-20	25	10	58	Ø16.5	Ø23
BFX3-25	25	15	58	Ø25	Ø28
BFX3-32	28.5	18.5	58	Ø32	Ø35
BFX3-40	29.5	24	68	Ø38	9/045
BFX3-50	36	27	78	Ø48	Ø54
BFX3-63	41	32	91	Ø58	Ø64
BFX3-75	46.5	40	105	Ø72	Ø78
BFX3-90	51.5	43	119	Ø80	Ø92



BFX3 Clamp On Type Flow Meter



# PRODUCT LINES

## Clamp-on Type Heat Flow Meter BEX3



**Flow range**  
0.1 m/s ~ 5 m/s

**Accuracy**  
 $\pm 2.0\%$

**Pipe size**  
 $\phi 20$  to  $\phi 80$

## Clamp On Type Flow Meter BFX3



**Flow range**  
0.1 m/s ~ 5 m/s

**Accuracy**  
 $\pm 2.0\%$

**Pipe size**  
 $\phi = \phi 20, \phi 25, \phi 32, \phi 40, \phi 50, \phi 63$

## Dedicated Ultrasonic Flowmeter BFU-100



**Flow range**  
0 ~  $\pm 12$  m/s

**Accuracy**  
 $\pm 1.0\%$

**Pipe size**  
25mm ~ 6000mm

## Portable Ultrasonic Flowmeter BFU-100H



**Flow range**  
0 ~  $\pm 12$  m/s

**Accuracy**  
 $\pm 1.0\%$

**Pipe size**  
25mm ~ 6000mm



**BELL FLOW SYSTEMS Ltd**

7-15 Swan Business Centre, Osier Way, Buckingham  
MK18 1TB, Bucks, UK Tel : +44 (0)1280817304

[www.bellflowsystems.co.uk](http://www.bellflowsystems.co.uk)