

## Model G015HZ Gear Flow Meter (Analog) 10 cc/min to 15 liters/min

### SPECIFICATIONS

Flow Range	10 cc/min to 15 liters/min
Accuracy (at 30 cP)	$\pm 0.3\%$ of reading over a 100:1 range, or $\pm 2\text{mV}$ (or $4\mu\text{A}$ ), whichever is greater
Maximum Operating Pressure	6000 psi (414 bar)
Weight	1.8 kg
Recommended Filtration	10 micron
Port Size(s)	3/8" NPT or Manifold Mount
Fluids	Most non-aqueous, hydrocarbon based fluids



### MATERIALS OF CONSTRUCTION

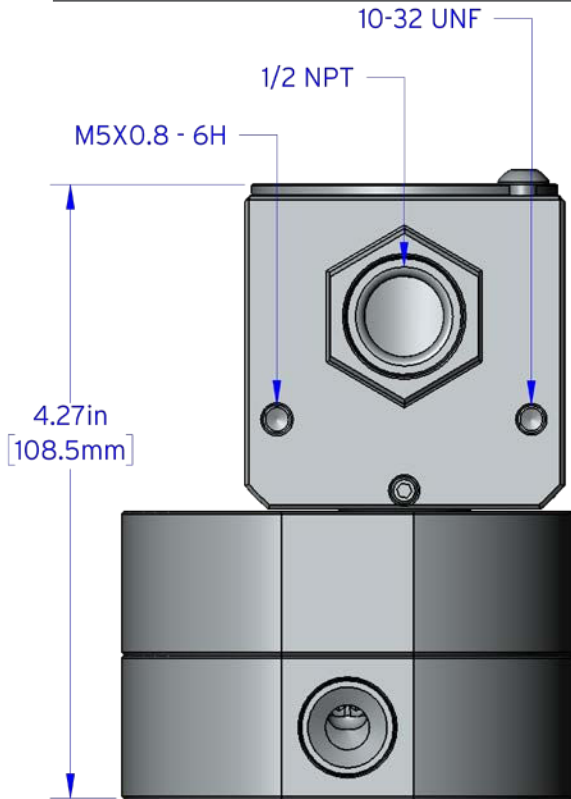
External	Stainless Steel, type 316; type 17-4 Bolts
Wetted	Stainless Steel, type 316, 440C, 17-4 Nickel plated SmCo magnet
O-Rings	Standard: Viton® Optional: Teflon®, Perfluoroelastomer

### ANALOG TRANSMITTER

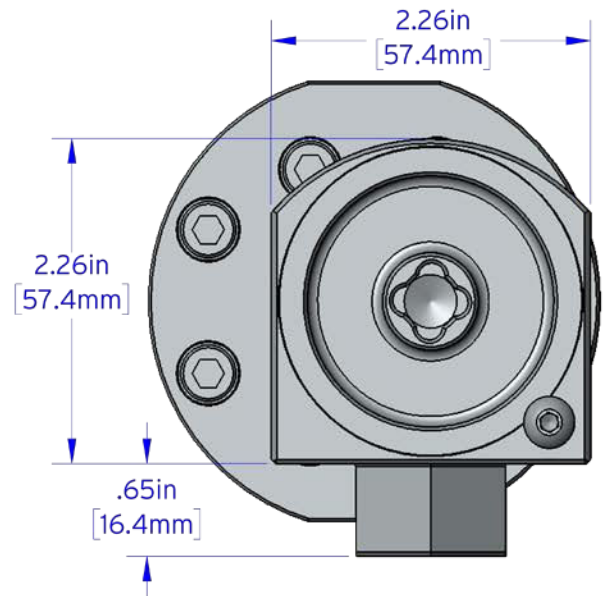
Output Signal	Any range of $\pm 10\text{V}$ or $\pm 20\text{mA}$ Linearized and damped with anti-dither protection.
Power Supply Requirements	Two Models: 12Vdc @ 90 mA, 24Vdc @ 45 mA
Ambient Operational Range	-40°C to 75°C, Single piece – Two piece to 110°C
Metered Liquid Temp Range (based on 20° ambient)	-40°C to 75°C, Standard model -40°C to 130°C, Two piece high temperature model
Compliance	CE Certified, Ex-proof version available with ATEX/IECEX II 2 G Ex db IIB Tx Gb as well as UL, cUL certification for Class 1, Division 1, Groups C and D, Tx

# Model G015HZ Flow Meter (Analog)

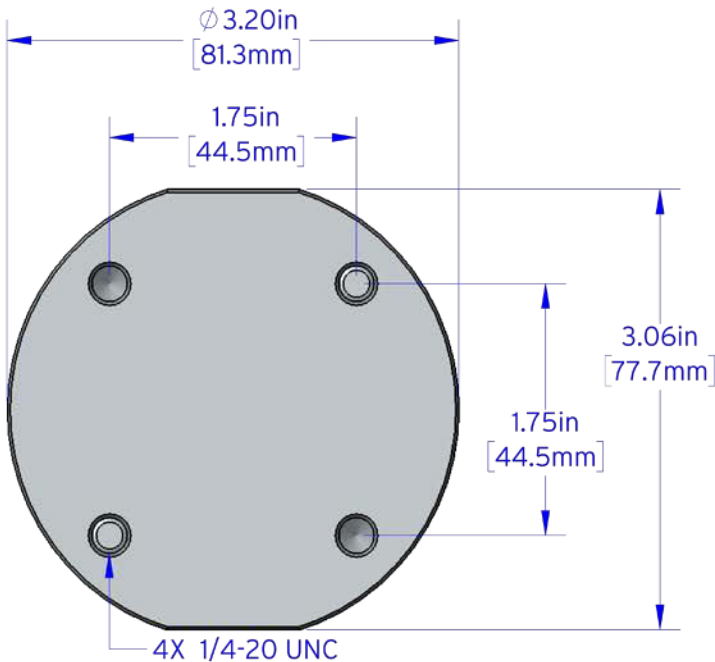
DIMENSIONS (Not to scale)



MODEL G015HZ WITH  
EX-PROOF HOUSING



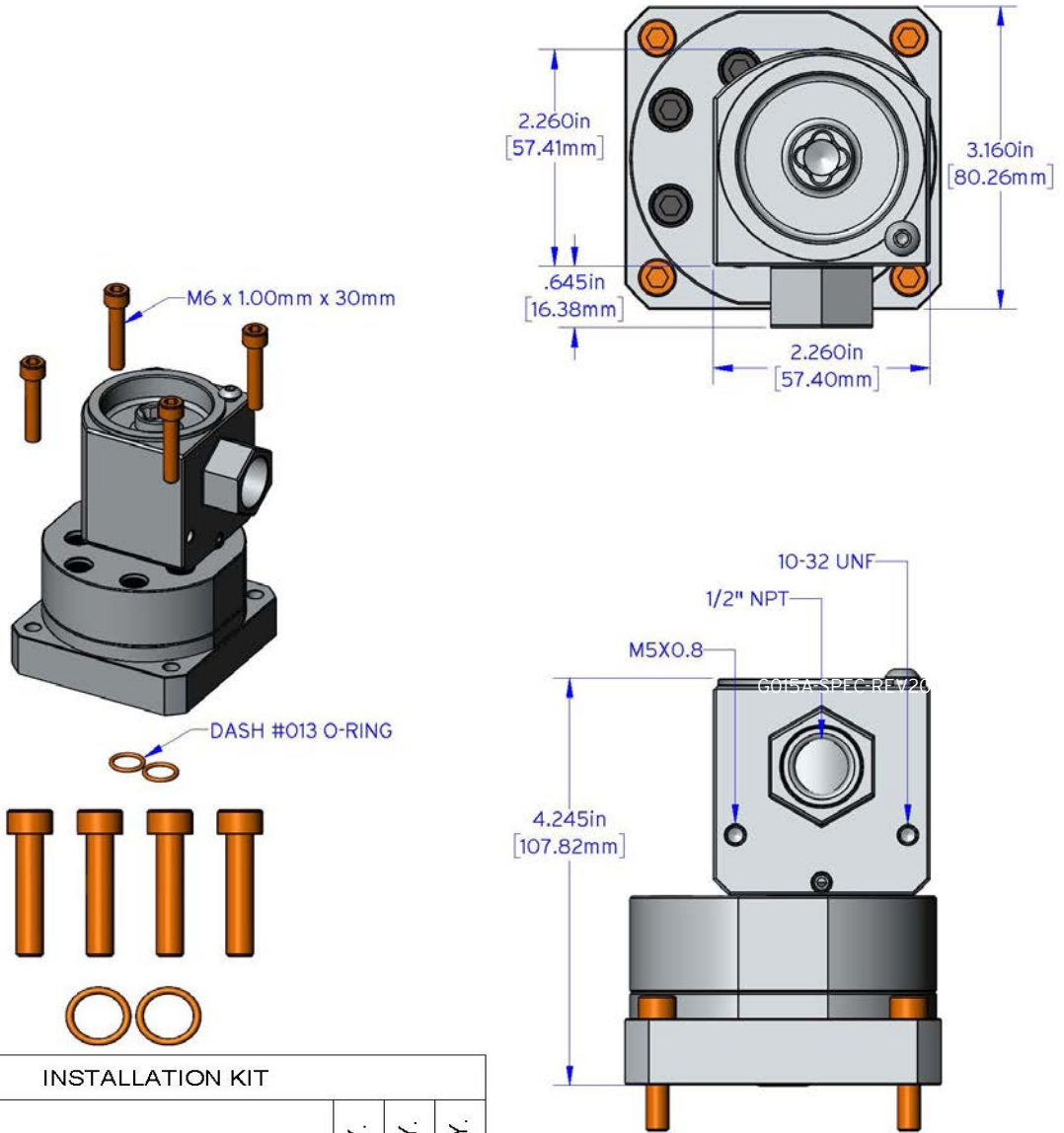
EX-PROOF HOUSING  
TOP VIEW



BOTTOM VIEW

# Model G015HZ Flow Meter (Analog)

DIMENSIONS (Not to scale) - Manifold Specifications

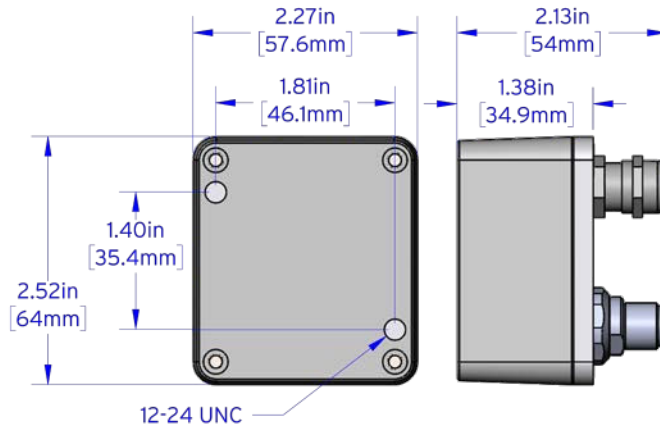


## INSTALLATION KIT

Description	G015-MM-KIT-VIT-S/QTY.	G015-MM-KIT-TEF-S/QTY.	G015-MM-KIT-PER-S/QTY.
SHCS M6x1x30 17-4	4	4	4
O-RING 90 FKM 7/16x9/16x1/16	2	-	-
O-RING PTFE 7/16x9/16x1/16	-	2	-
O-RING 90 FFKM 7/16x9/16x1/16	-	-	2

# Model G015HZ Flow Meter (Analog)

## DIMENSIONS (Not to scale)



REMOTE PCA ENCLOSURE FOR HIGH TEMPERATURE TRANSMITTERS  
(User supplied interconnect cable required, not shown)

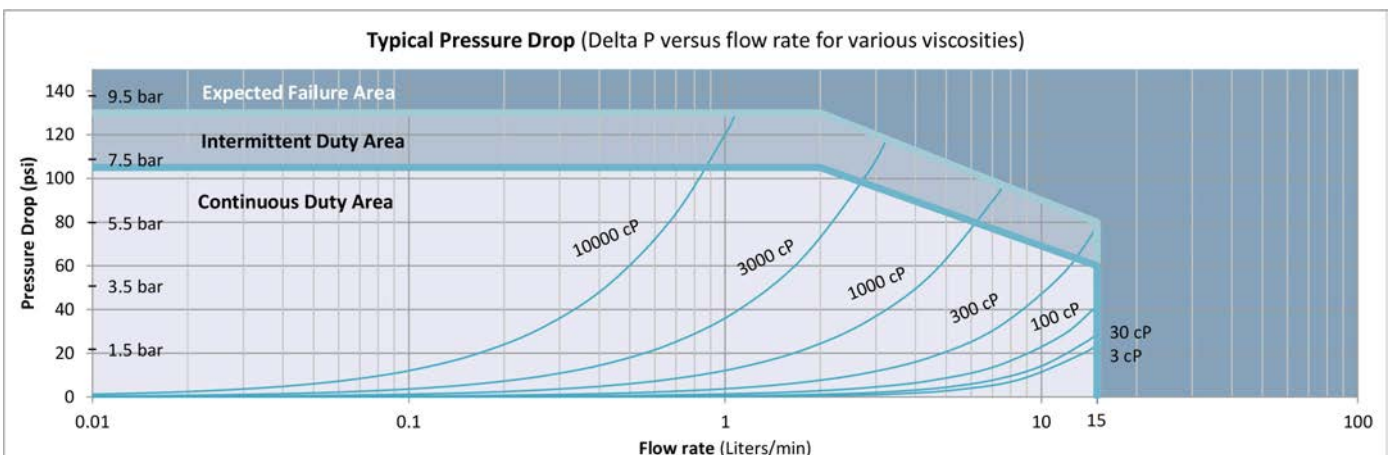
## CONNECTIVITY

Pulse Output Wiring	Pulse PCB Label	Analog Output Wiring	Analog PCB Label	Wiring Adaptor Pin #	Two Part Transmitter Wiring	
					Ex-Proof Sender (Example: EX29x-051-000)	Remote Receiver (Example: EX296-x8x-xxx)
Power *	V+	Power	V+	1	Case	Case
Common	Com	Common	Com	2	5V	5V
Signal Output	PhA	Signal Output (+)	Sig	3	Ra	Ra
(Quad only)	PhB	Signal Output (-)	Ret	4	Rb	Rb
Case Ground	Case	Case Ground	Case	5	Com	Com

For reference only. See Installation Instructions - Hazardous Locations document EXInstallEnglish-Rev3-MultiLanguage-Rev2019A

\* Please specify 12Vdc or 24Vdc operation

## PRESSURE DROP GRAPH





Max Machinery, Inc.  
an ISO 9001:2015 certified company

# Positive Displacement Flow Meters

## Gear Type, G-Series, 316 Stainless Steel

Flow Meter Selections      Transmitter Selections

Model #  HZ   NA /  2  / 1 -  Non-Standard Options

Bi-Directional Cal: BID

1 Transmitter Type

### Max Flow Range

4 Liters/Min    G004  
15 Liters/Min   G015  
45 Liters/Min   G045

### Pressure

6000 psi (414 bar)    HZ

### Fluid Connection

NPT    1  
Manifold Mount    4

### Seal Selection

Viton® - FKM    1  
Teflon® - PTFE\*\*\*    3  
Perfluoroelastomer - FFKM    5

### Options

None    NA

### Output Type

A    4-20mA Output - Powered by 24 Vdc  
A    4-20mA Output - Powered by 12 Vdc  
A    0-10 Volt Output - Powered by 24 Vdc  
A    0-10 Volt Output - Powered by 12 Vdc  
P    5V Pulse/Freq. - Powered by 5-26 Vdc  
Q    5V Quadrature - Powered by 5-26 Vdc  
P    Current Sinking, Single Phase

### Temperature Rating

1    75°C Haz-Loc  
2    130°C Haz-Loc, 2 Part\*\*

### Electrical Connection

2    Hazardous Location, 1/2 Inch Conduit\*

### Signal Type

P    Pulse  
A    Analog  
Q    Quadrature

- \* See temp chart in product manual.
- \*\* Receiver portion of 2 part transmitters are not rated Ex-Proof, consult factory.
- \*\*\* Teflon® not used above 90°C for this high pressure rated product.

Product includes single directional calibration, bi-directional calibrations for analog and quadrature devices are optional.



Model G045HZ